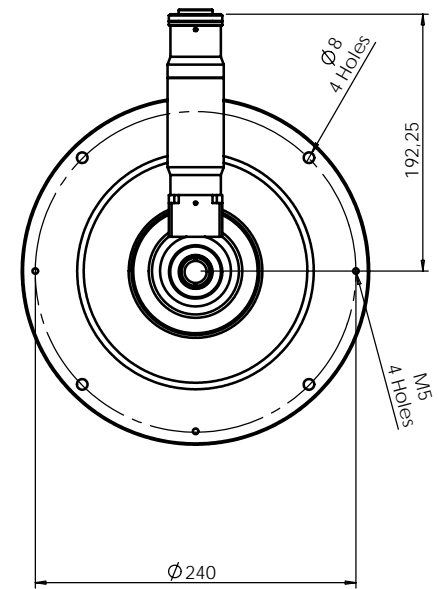
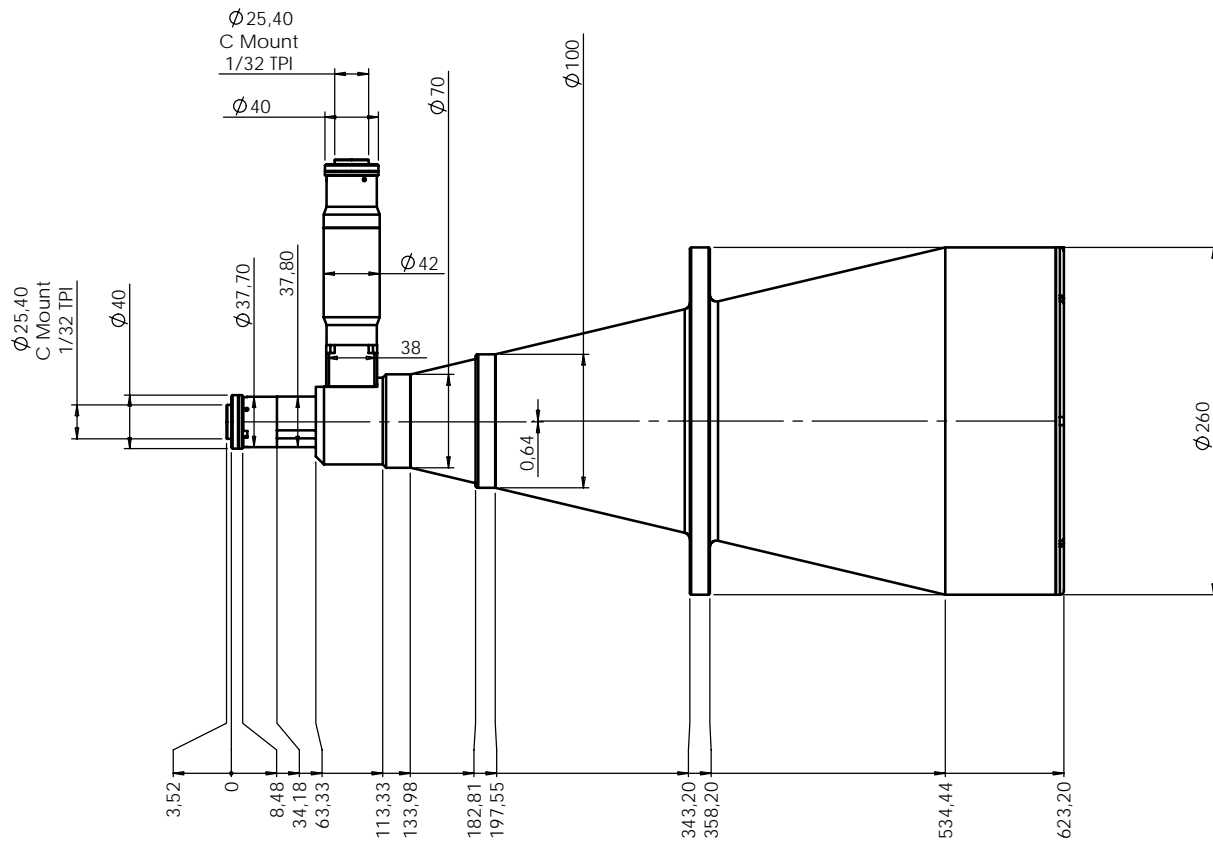


Rev No.	Description	Date	Name
A	Layout	14/12/11	A. Bnà



Material	N.A.		Mass	12.3 Kg.	Scale	1:4																								
Surface treatment	N.A.		Project-Prod Item/Instrument TCDP 4X 192																											
Geometrical tolerance (ISO 2768-2)		<table border="1"> <tr> <td colspan="2">Class</td> <td>K</td> </tr> <tr> <td colspan="2">m</td> <td>m</td> </tr> </table>	Class		K	m		m	Undimensioned bevels	1x45°	Description TCDP 4X 192 Layout																			
Class			K																											
m		m																												
Linear tolerance (ISO 2768-2)		Undimensioned radii	R 0.5																											
<table border="1"> <tr> <td>0.5</td> <td>>3-</td> <td>>6-</td> <td>>30-</td> <td>>120</td> <td>>400-</td> <td>>1000</td> <td>>2000</td> </tr> <tr> <td>±3</td> <td>6</td> <td>30</td> <td>120</td> <td>±400</td> <td>±1000</td> <td>±2000</td> <td>±4000</td> </tr> <tr> <td>±0.1</td> <td>±0.1</td> <td>±0.2</td> <td>±0.3</td> <td>±0.5</td> <td>±0.8</td> <td>±1.2</td> <td>±2</td> </tr> </table>		0.5	>3-	>6-	>30-	>120	>400-	>1000	>2000	±3	6	30	120	±400	±1000	±2000	±4000	±0.1	±0.1	±0.2	±0.3	±0.5	±0.8	±1.2	±2	Date		Name	Drawing No.	Sheet
0.5	>3-	>6-	>30-	>120	>400-	>1000	>2000																							
±3	6	30	120	±400	±1000	±2000	±4000																							
±0.1	±0.1	±0.2	±0.3	±0.5	±0.8	±1.2	±2																							
		Designed	14/12/11	A. Bnà	16327-0-A	1/1																								
		Draw	14/12/11	A. Bnà																										
		Checked	X	C. Sedazzari	Reproduction forbidden without specific authorization																									
OPTO ENGINEERING S.r.l. - 46100 Mantova Italy - Via Cremona, 29/2 - Tel +39 0376 263525 - e-mai: info@opto-engineering.com - http://www.opto-engineering.com																														